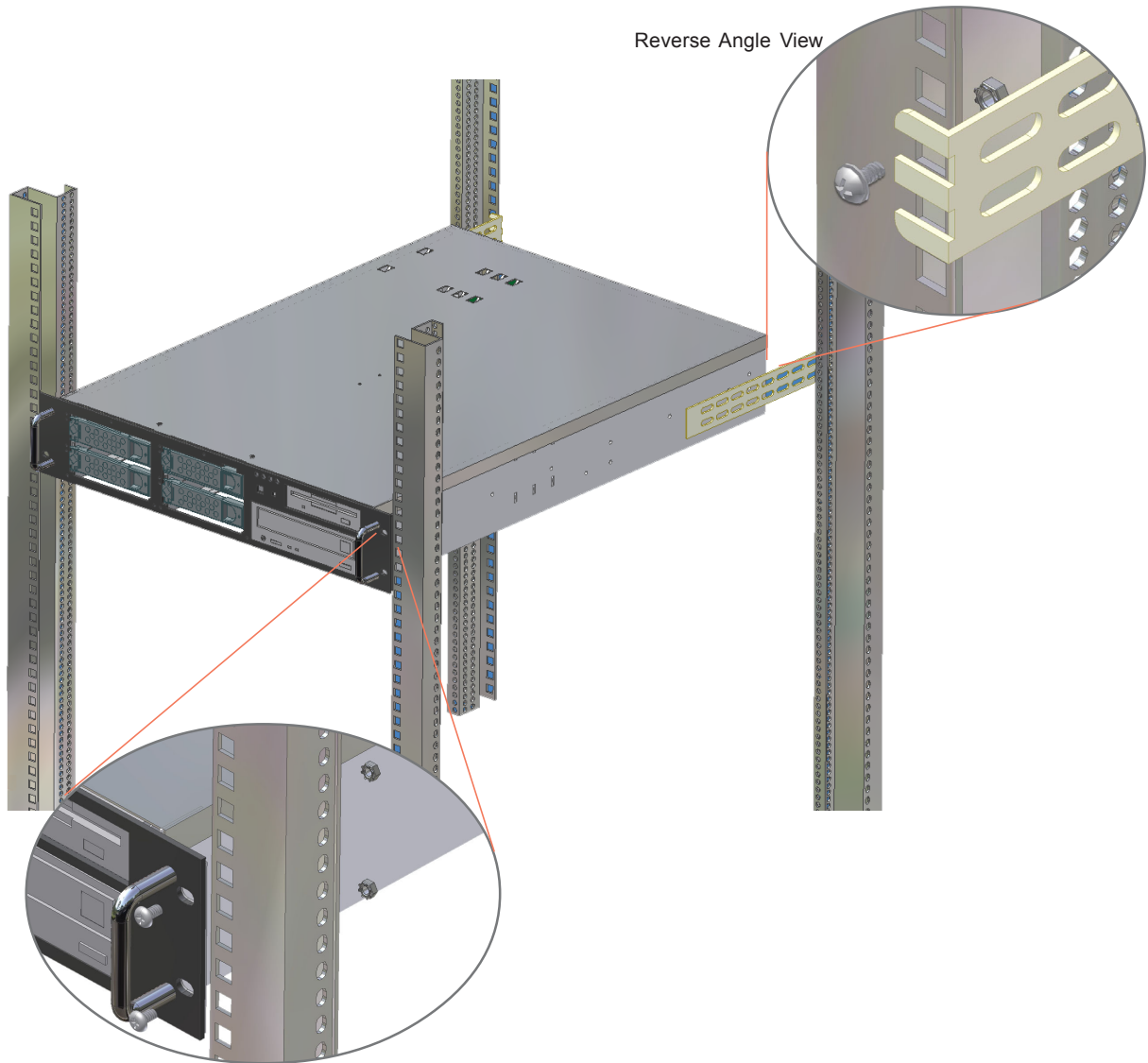


CineRAID Side Rails Installation for Rackmount Chassis

Fixed Rail Installation

Skip this procedure if side rails are to be used. For fixed installation, mount the two rear brackets with the provided screws as shown in the figure below. The bracket includes multiple holes allowing the enclosure to be mounted in racks of varying depths.



- 1 Tighten in the screws into the rear rack bracket in both side of the chassis
- 2 While holding the chassis in the mounting position, tighten in the screws and the nuts in the rear side of the rack cabinet.
- 3 Again, while holding the chassis in its mounting position, tighten the screws and nuts in the front side of the rack cabinet.

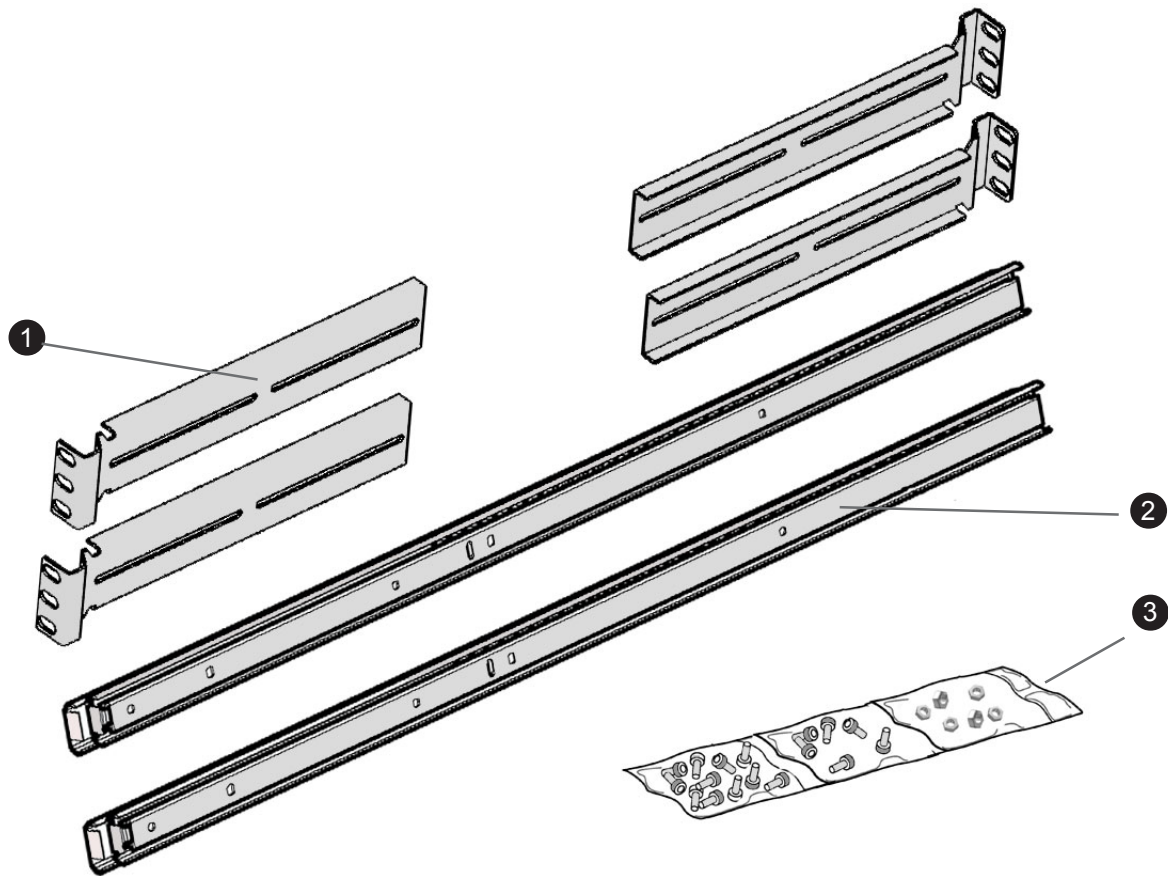
CineRAID Side Rails Installation for Rackmount Chassis

Ball Bearing Slide Rail Rack Installation

Unpack the package box and locate the materials and documentation necessary for rack mounting. All the equipment needed to install the server into the rack cabinet is included.

Kit Contents

Contents of the rack mounting kit include:



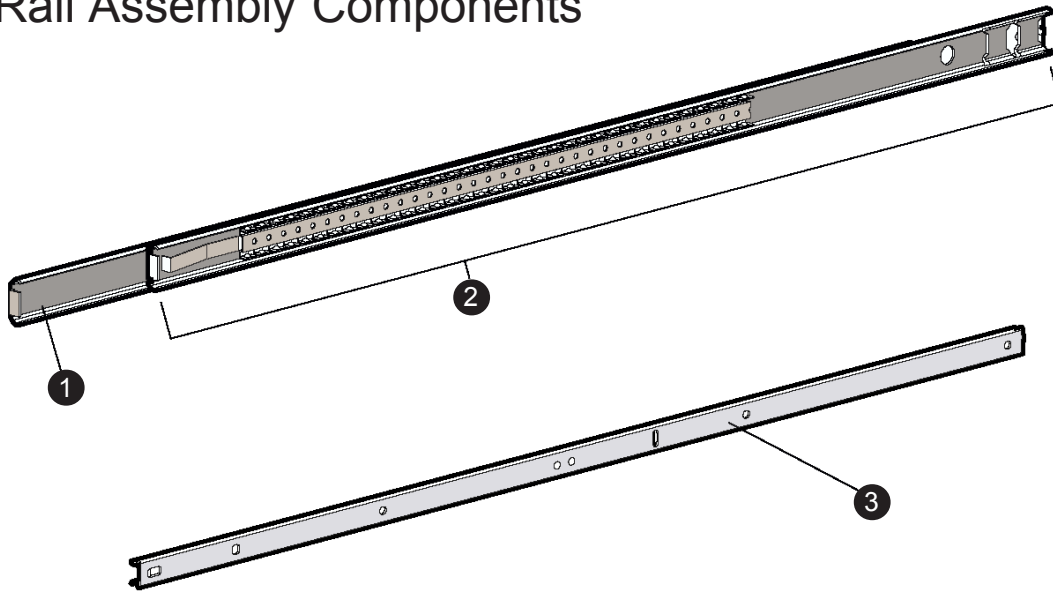
- ❶ Rack mounting brackets (4)
- ❷ Slide rail assembly (2)
- ❸ Bags of screws and nuts (8 x hex nut #8-32, 8 x screw #8-32 1/4 inch, 16x screw #10-32-1/2 inch)

Required Tools

Phillips screwdriver

CineRAID Side Rails Installation for Rackmount Chassis

Slide Rail Assembly Components

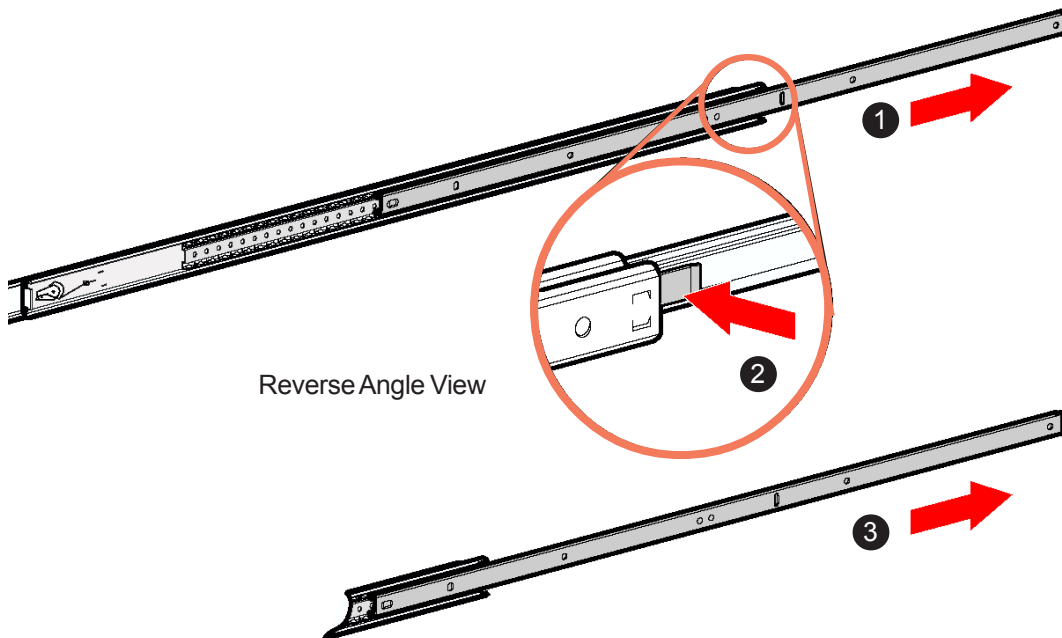


1 Outer Bracket Rail

2 Ball Bearing Inner Slide

3 Server Rail

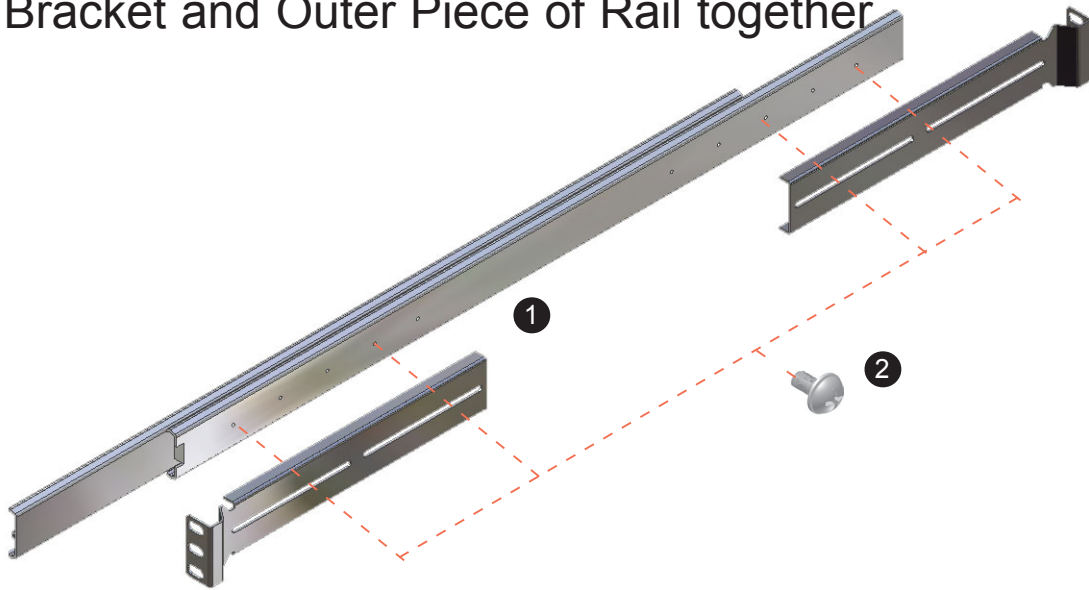
Remove the Server Rail



- 1 Extend the server rail from the outer bracket rail until the server rail release latch clicks
- 2 Push down the latch clicks.
- 3 Pull the server rail out of the inner slide

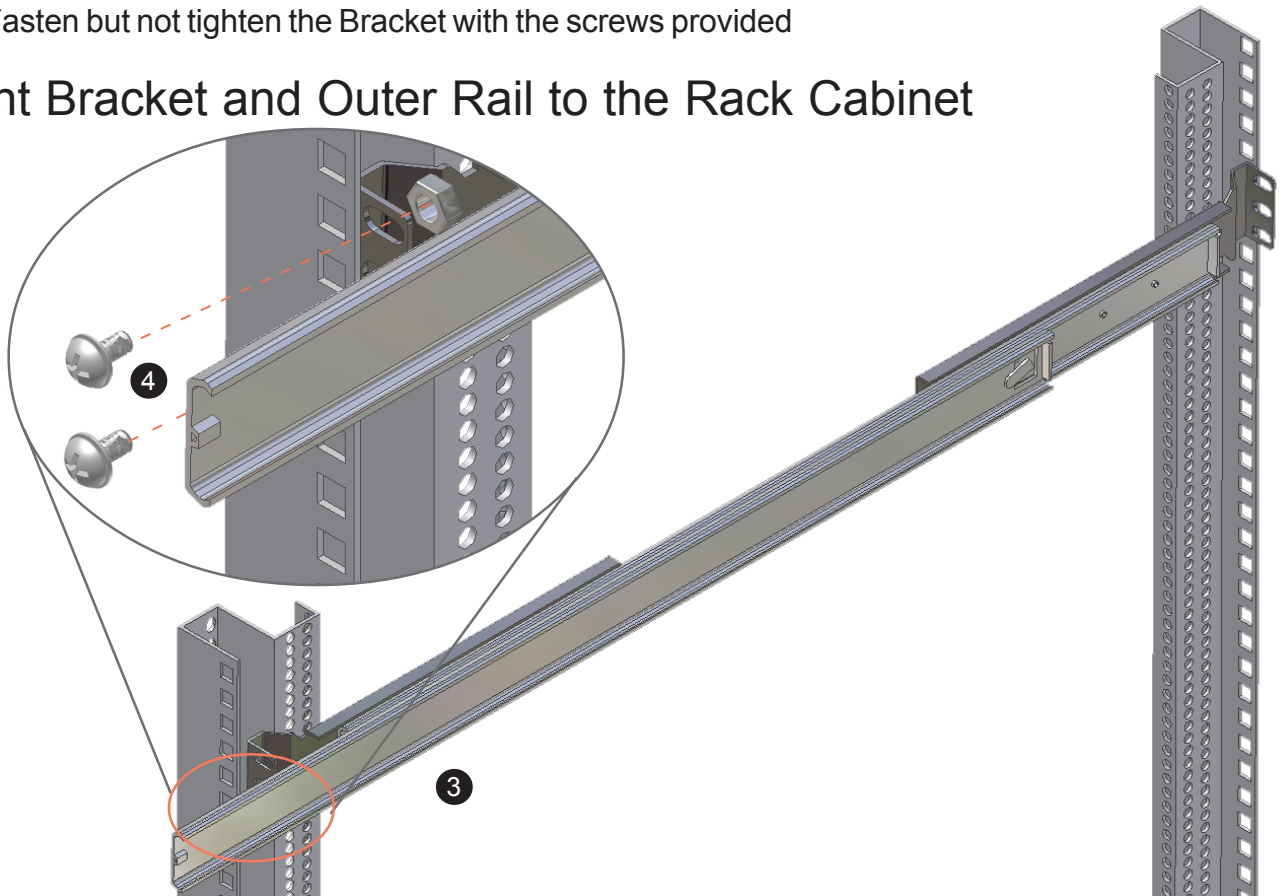
CineRAID Side Rails Installation for Rackmount Chassis

Fasten Bracket and Outer Piece of Rail together



- 1 Align the mounting bracket with the outer rail
- 2 Fasten but not tighten the Bracket with the screws provided

Mount Bracket and Outer Rail to the Rack Cabinet



- 3 Align the mounting bracket and the external rail to the rack frame
- 4 Tighten the screw and hex nuts to the rack frame. Then, tighten the screw in step 2

CineRAID Side Rails Installation for Rackmount Chassis

Assemble inner rail to chassis

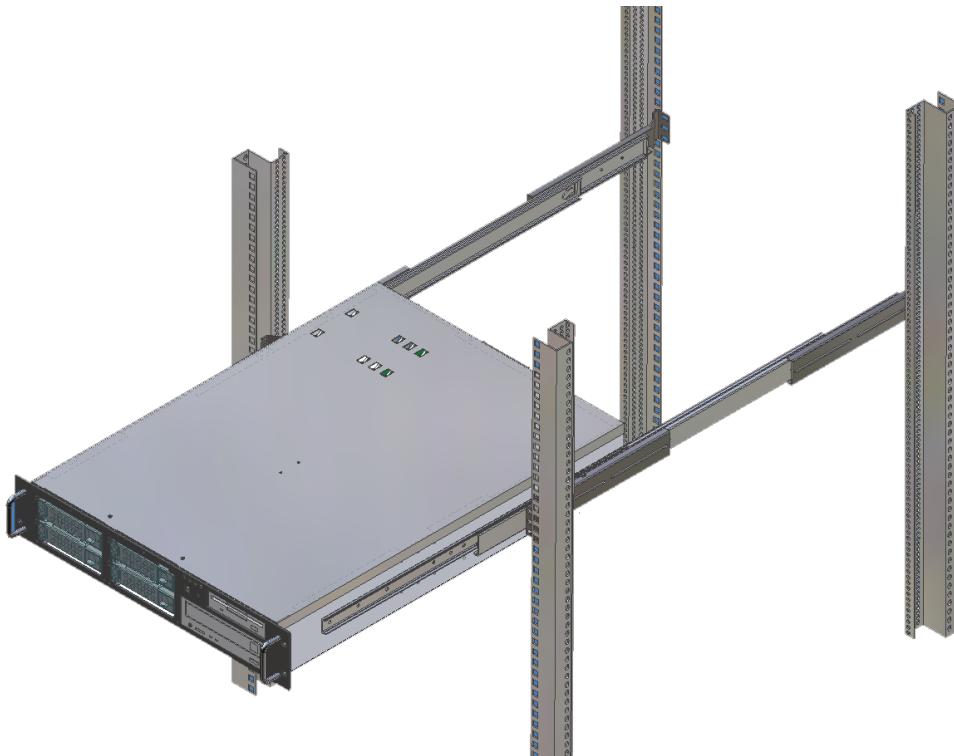


- 1 Place the inner rail along one side of the chassis.
- 2 Align the mounting holes in the inner rail to the mounting holes of the chassis.
- 3 Fasten the inner rail to the chassis using the screws
- 4 Repeat step 1, 2, and 3 to attach the inner rail to the other side of the chassis.

Insert Chassis to the Rack Cabinet

CAUTION

Lifting the chassis and attaching it to the cabinet is a two-man job, If needed, use an appropriate lifting device.



- 1 Slide the chassis toward the cabinet and make sure it is secure.