

Areca ARC-5020-3 Card Installation for MAC Pro Systems

v1.0



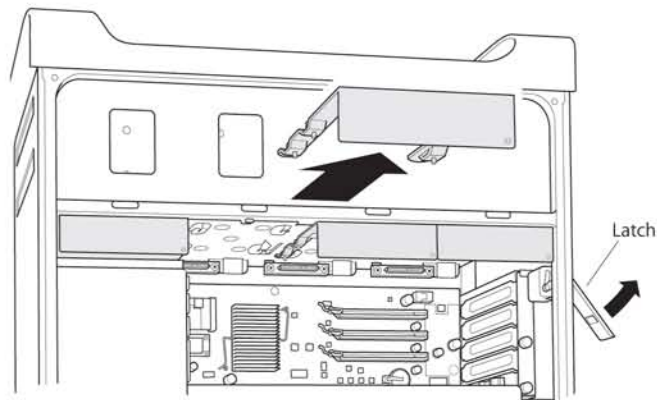
ARC-5020-3 Installation instructions for MacPro

1. Turn off / Shut Down your computer
Touch the metal on the outside of your MAC Pro (Chassis) while it's still plugged in to discharge any static electricity from your body. Then Turn off the system. When the system is completely shut down, unplug the power cord of the Mac Pro.



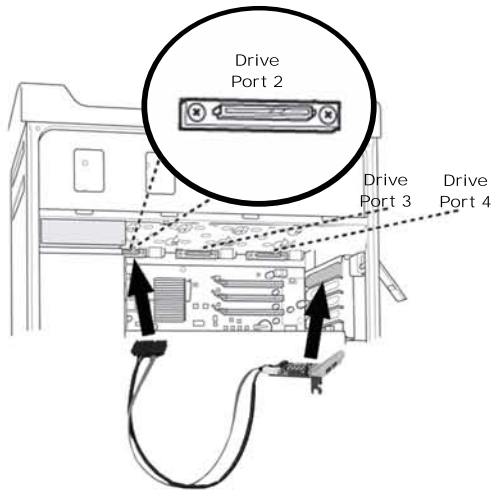
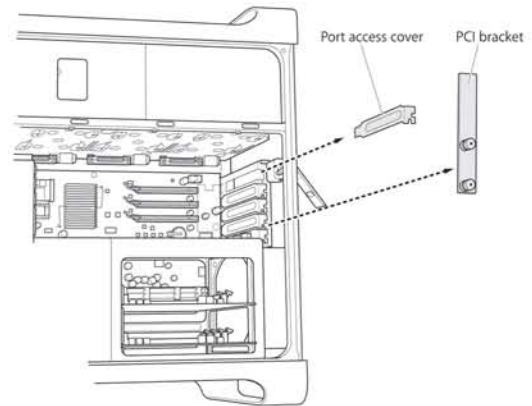
2. Open the Mac Pro Case
Lift the rear latch to unlock the side panel.
Caution - The internal components can still be very hot after the system has been shut down. Allow the system to cool down if needed.
Open side panel by pulling away from the case, then lift up to remove. Set side panel aside.

3. Remove the drive carriers
Make sure the latch on the back panel is still open, then pull out empty drive carriers 2, 3 and 4 and set them aside.



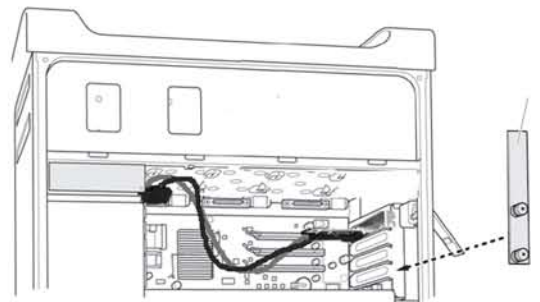
ARC-5020-3 Installation instructions for MacPro

4. Locate and Remove the PCI bracket
The PCI bracket will have two thumbscrews. Loosen both thumbscrews until PCI bracket can be easily removed. Remove the bracket and the port access cover to allow room for the ARC-5030-3 card to be installed.



5. Install the Areca ARC-5020-3 Card
The ARC-5020-3 has a cable and a card end. Install the cable end into Drive Port 2 on the motherboard. Then slide the card end into the slot where the PCI bracket was removed. Make sure the cable connector is securely into the SATA port on the motherboard and the card is fully seated into the slot.

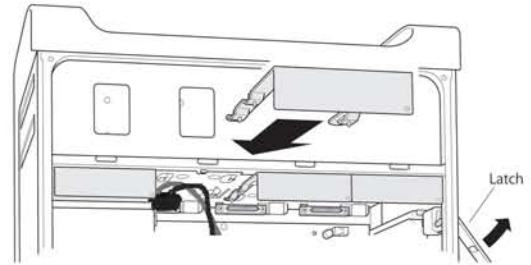
6. Replace the PCI Bracket
Make sure the cable connector is securely fit into the SATA port on the motherboard and the card is fully seated into the slot. Take the PCI bracket and re-insert to its original location, then tightened both screws. The PCI bracket will hold the ARC-5030-3 card in place.



NEXT

ARC-5020-3 Installation instructions for MacPro

7. Insert the empty drive carriers
Make sure the rear latch is still up, and then slide in all the empty drive carriers back in order.



8. Insert side panel and close the latch
Slide side panel down and toward case. Close latch and reconnect the external cables and the power cord.

9. Connecting ARC-5020 RAID Box
After the ARC-5020-3 card is installed in the Mac Pro, you are now ready to connect the ARC-5020 RAID Box to the Mac by using the e-SATA cable provided.

Note: If you have not installed the drives or setup the RAID set and volume, please refer to section 2.2 Installation on the users manual for proper drive installation and configuring the RAID before connecting to your MAC Pro host computer.